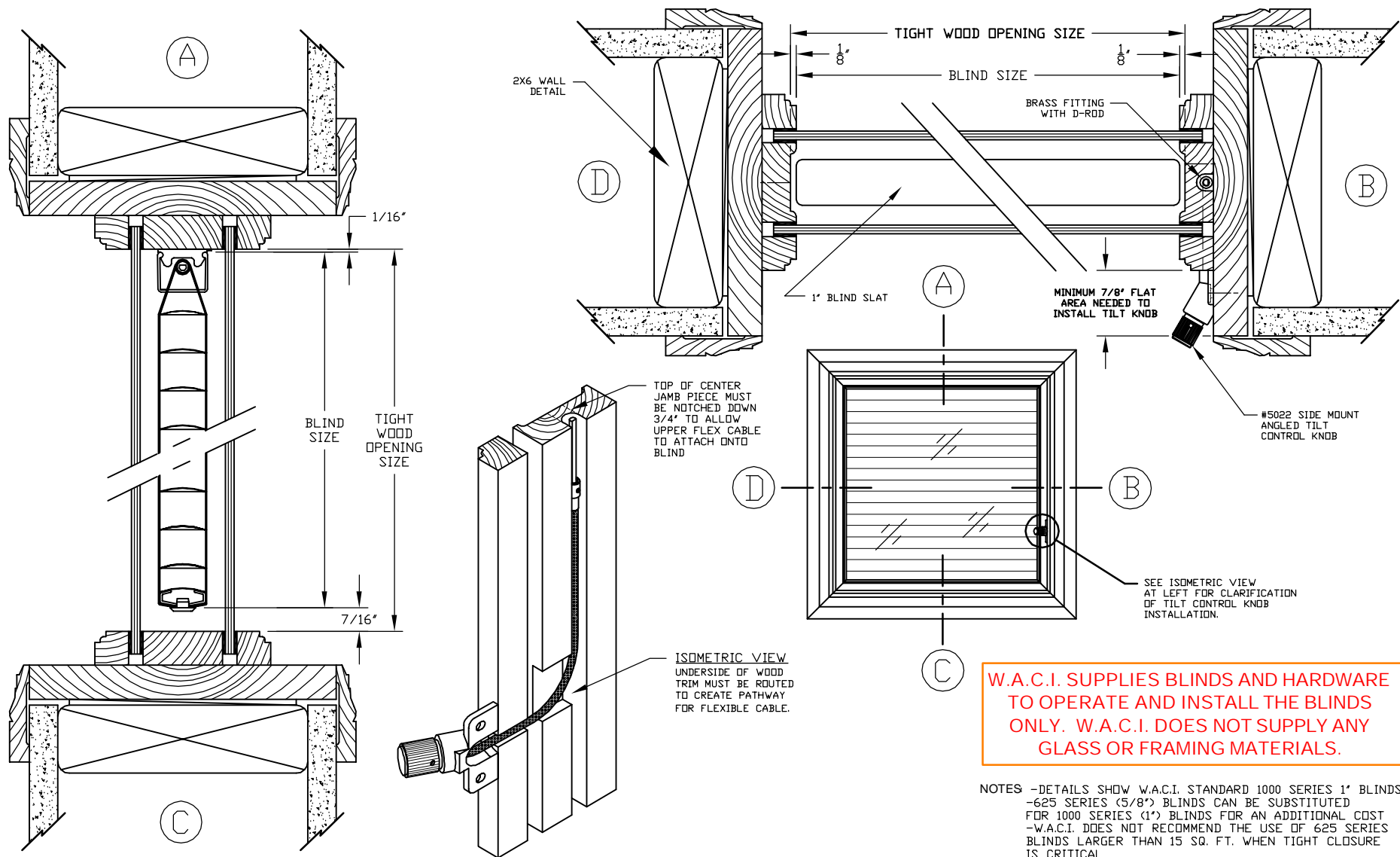


WOOD INTERIOR PARTITION WINDOW DETAILS



WINDOW ACCESSORY CO. INC.

4705 BAYBERRY ST.
P.O. BOX 265
SCHOFIELD, WI 54476

PH. (715) 355-4000
FAX (715) 355-4994

BY: CCW	SCALE: NA	DATE: 01-05-04	DESCR.: STANDARD WOOD FRAME 2X6 WALL CONFIGURATION - SINGLE CONTROL	DRAWING NO.: NA
------------	--------------	-------------------	---	--------------------