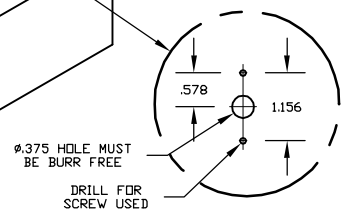
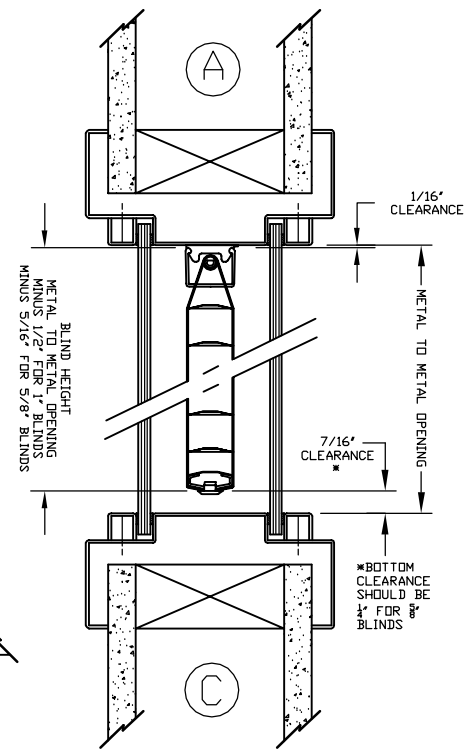
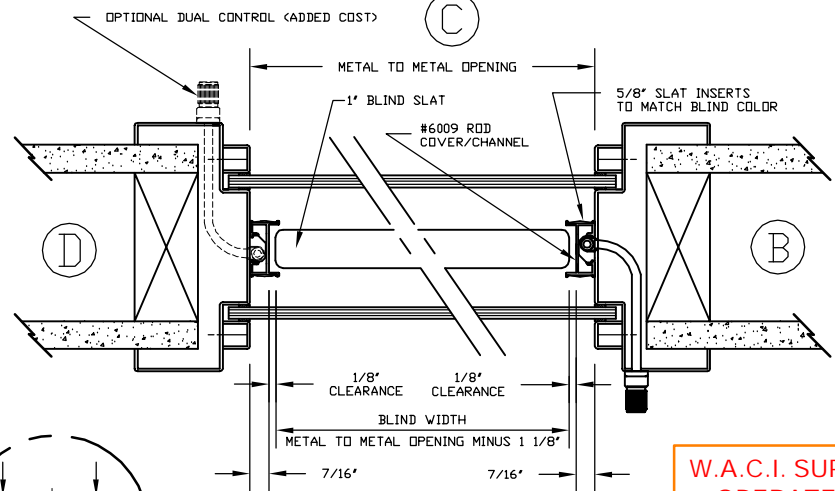
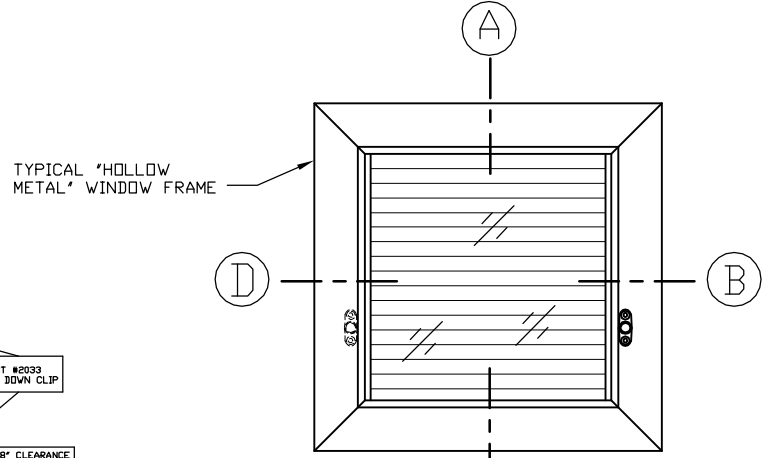
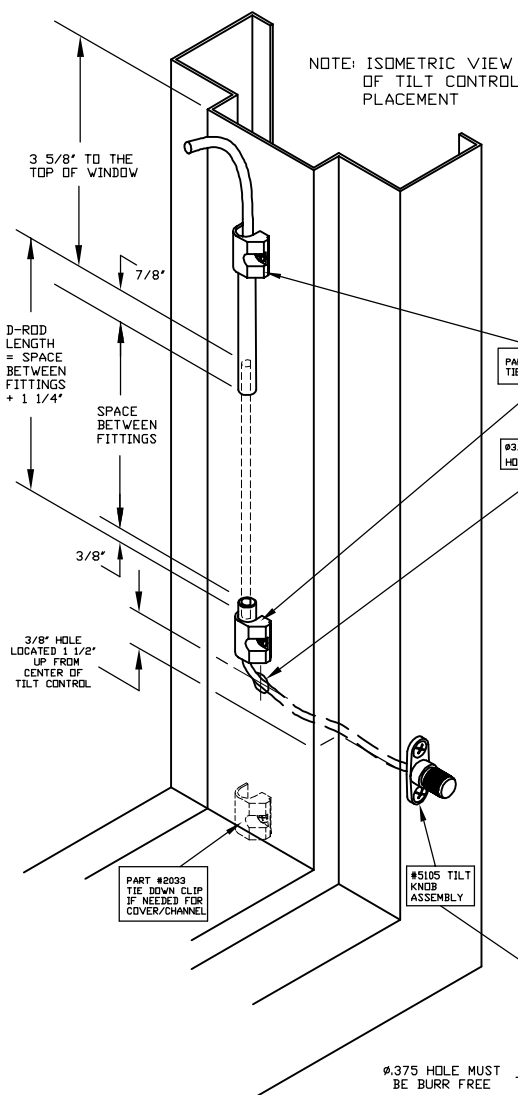


# W.A.C.I. BLIND IN HOLLOW METAL FRAME



**W.A.C.I. SUPPLIES BLINDS AND HARDWARE TO OPERATE AND INSTALL THE BLINDS ONLY. W.A.C.I. DOES NOT SUPPLY ANY GLASS OR FRAMING MATERIALS.**

NOTES: -DETAILS SHOW W.A.C.I. STANDARD 1000 SERIES 1" BLINDS  
 -625 SERIES (5/8") BLINDS CAN BE SUBSTITUTED FOR 1000 SERIES (1") BLINDS FOR AN ADDITIONAL COST  
 -W.A.C.I. DOES NOT RECOMMEND THE USE OF 625 SERIES BLINDS LARGER THAN 15 SQ. FT. WHEN TIGHT CLOSURE IS CRITICAL

## WINDOW ACCESSORY CO. INC.

4705 BAYBERRY ST.  
 P.O. BOX 265  
 SCHOFIELD, WI 54476

PH. (715) 355-4000  
 FAX (715) 355-4994

BY: CCW	SCALE: NA	DATE: 07-17-03	DESCR.: STANDARD "HOLLOW METAL" FRAME CONFIGURATION-SINGLE/DUAL CONTROL	DRAWING NO.: D133
------------	--------------	-------------------	---	----------------------