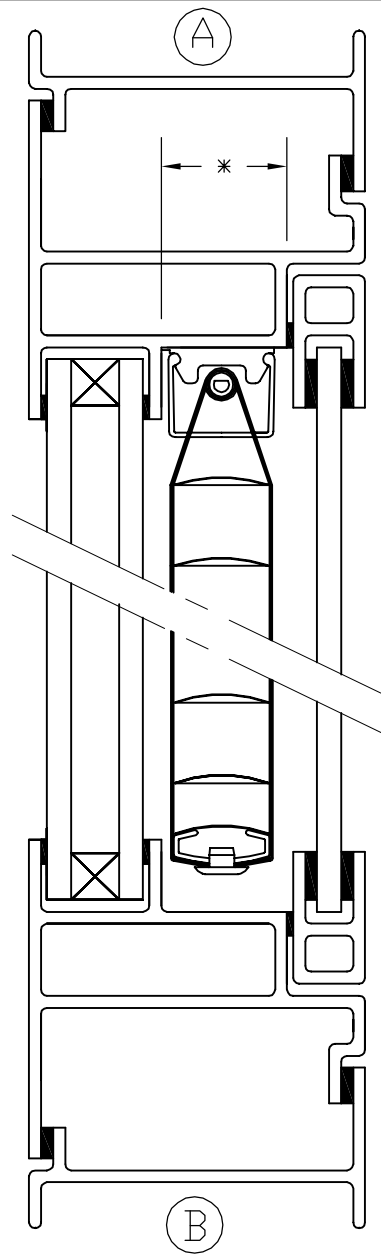
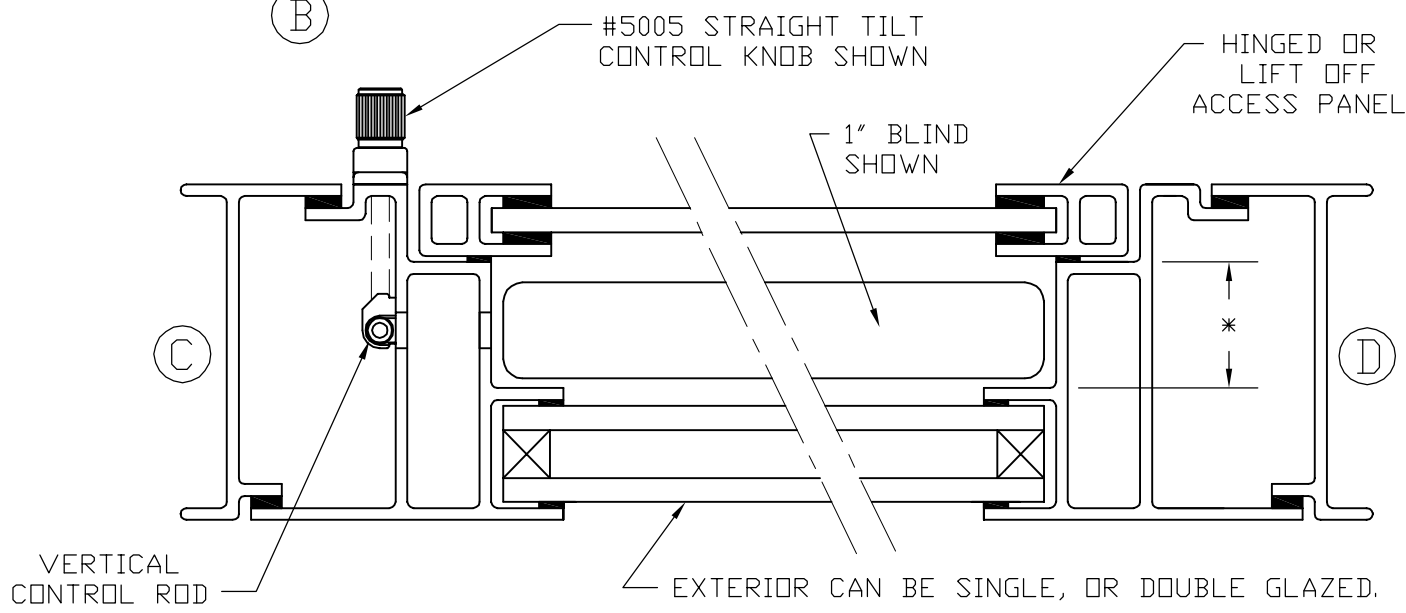


**W.A.C.I. BLIND IN OUT SWINGING WINDOW
-BLIND INSTALLED ON SASH-**

GENERIC WINDOW DETAILS DESIGNED TO SHOW LOCATION OF
BLIND AND BLIND HARDWARE ITEMS ONLY. W.A.C.I. DOES
NOT RECOMMEND EXACT DUPLICATION OF THESE DETAILS.

MINIMUM SPACE REQUIREMENTS
 1" BLINDS = 1 1/4" MINIMUM SPACE*
 5/8" BLINDS = 3/4" MINIMUM SPACE*
 *ALLOW ADDITIONAL SPACE WHEN UTILIZING
 POLYMERIC GLAZING MATERIALS. CONSULT
 MANUFACTURER FOR RECOMMENDATIONS.

W.A.C.I. SUPPLIES BLINDS AND HARDWARE TO
 OPERATE AND INSTALL THE BLINDS ONLY.
 W.A.C.I. DOES NOT SUPPLY ANY GLASS OR
 FRAMING MATERIALS.



WINDOW ACCESSORY CO. INC.		4705 BAYBERRY ST. P.O. BOX 265 SCHOFIELD, WI 54476		PH. (715) 355-4000 FAX (715) 355-4994	
BY: CCW	SCALE: 1/2X	DATE: 01-29-04	DESCR.: WACI BLIND IN OUTSWINGING WINDOW BLIND INSTALLED ON SASH	DRAWING NO.: NA	