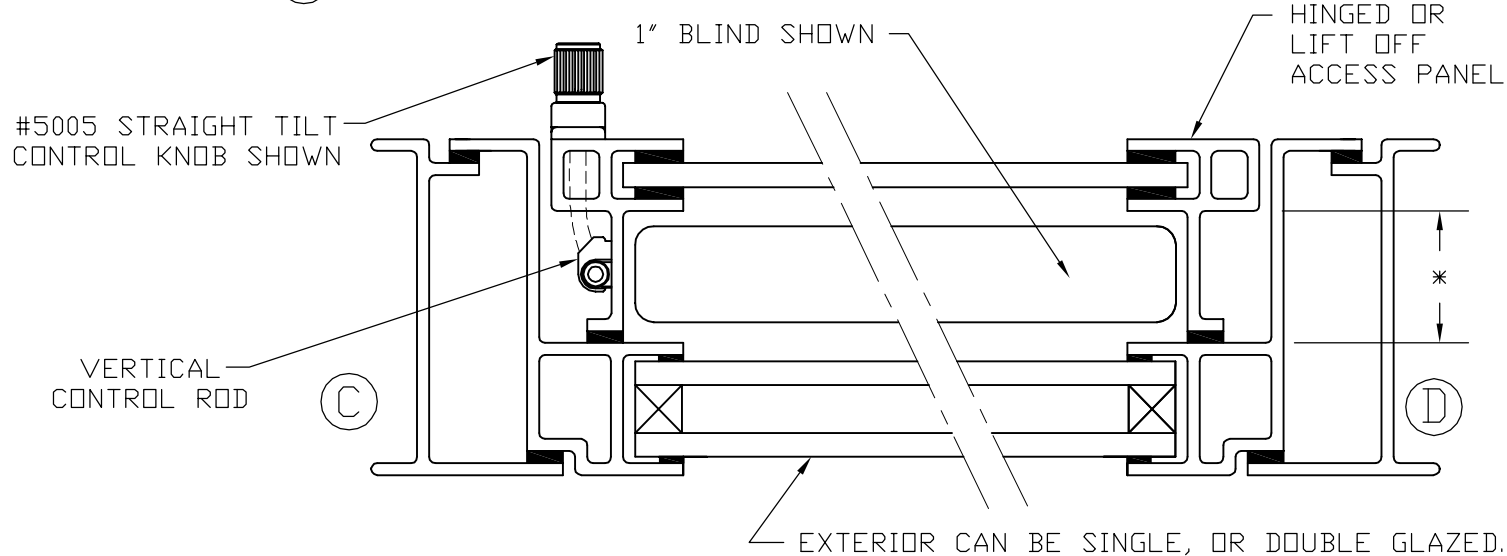
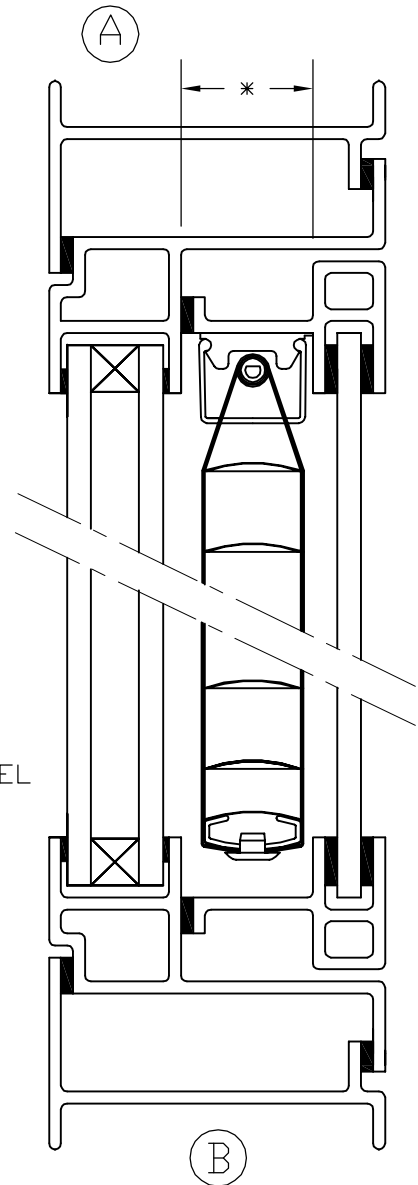


**W.A.C.I. BLIND IN INSWINGING WINDOW  
-BLIND INSTALLED ON PANEL INSIDE SASH-**

GENERIC WINDOW DETAILS DESIGNED TO SHOW LOCATION OF BLIND AND BLIND HARDWARE ITEMS ONLY. W.A.C.I. DOES NOT RECOMMEND EXACT DUPLICATION OF THESE DETAILS.

**MINIMUM SPACE REQUIREMENTS**  
 1" BLINDS = 1 1/4" MINIMUM SPACE\*  
 5/8" BLINDS = 3/4" MINIMUM SPACE\*  
 \*ALLOW ADDITIONAL SPACE WHEN UTILIZING POLYMERIC GLAZING MATERIALS. CONSULT MANUFACTURER FOR RECOMMENDATIONS.

W.A.C.I. SUPPLIES BLINDS AND HARDWARE TO OPERATE AND INSTALL THE BLINDS ONLY. W.A.C.I. DOES NOT SUPPLY ANY GLASS OR FRAMING MATERIALS.



<b>WINDOW ACCESSORY CO. INC.</b>		4705 BAYBERRY ST. P.O. BOX 265 SCHOFIELD, WI 54476		PH. (715) 355-4000 FAX (715) 355-4994	
BY: CCW	SCALE: 1/2X	DATE: 01-29-04	DESCR.: WACI BLIND IN INSWINGING WINDOW BLIND HUNG ON PANEL INSIDE SASH	DRAWING NO.: NA	