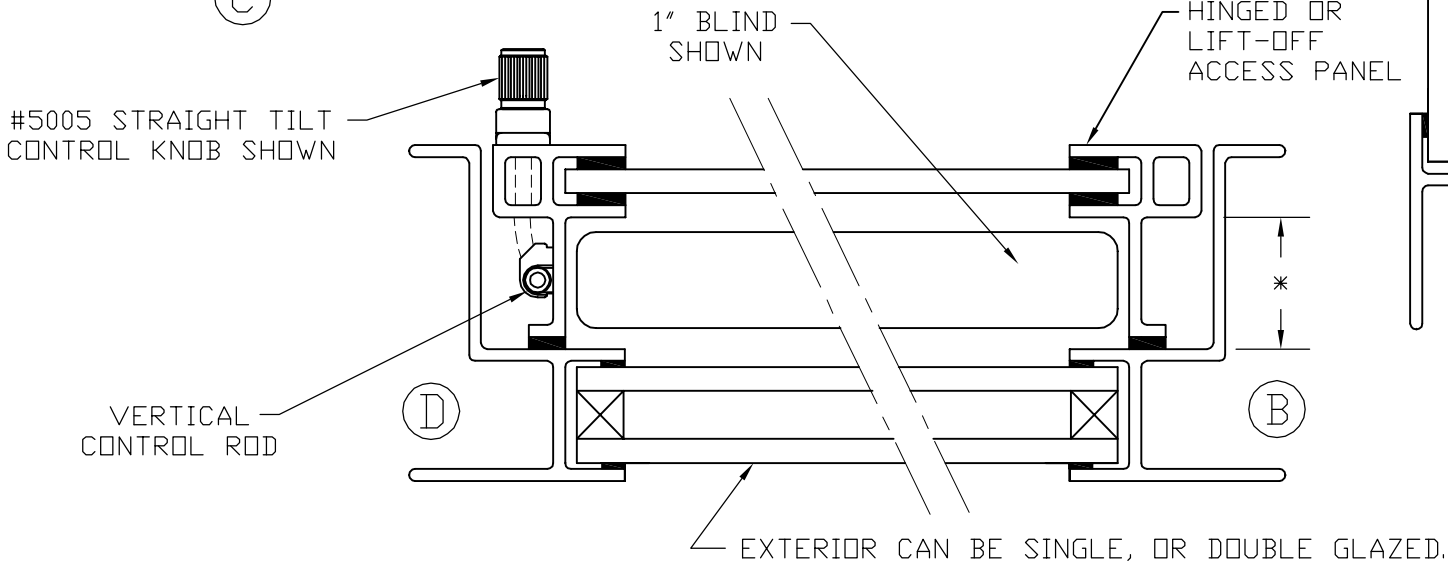
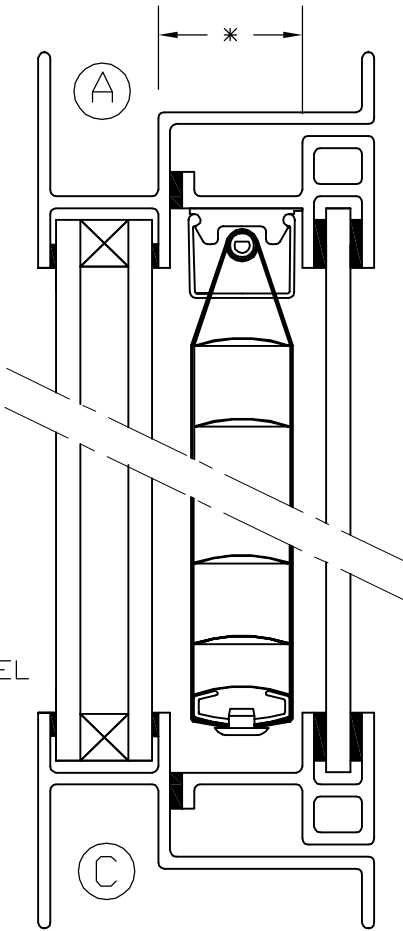


**W.A.C.I. BLIND IN FIXED WINDOW  
-BLIND INSTALLED ON PANEL-**

GENERIC WINDOW DETAILS DESIGNED TO SHOW LOCATION OF  
BLIND AND BLIND HARDWARE ITEMS ONLY. W.A.C.I. DOES  
NOT RECOMMEND EXACT DUPLICATION OF THESE DETAILS.

MINIMUM SPACE REQUIREMENTS  
 1" BLINDS = 1 1/4" MINIMUM SPACE\*  
 5/8" BLINDS = 3/4" MINIMUM SPACE\*  
 \*ALLOW ADDITIONAL SPACE WHEN UTILIZING  
 POLYMERIC GLAZING MATERIALS. CONSULT  
 MANUFACTURER FOR RECOMMENDATIONS.

**W.A.C.I. SUPPLIES BLINDS AND HARDWARE TO  
OPERATE AND INSTALL THE BLINDS ONLY.  
W.A.C.I. DOES NOT SUPPLY ANY GLASS OR  
FRAMING MATERIALS.**



<b>WINDOW ACCESSORY CO. INC.</b>		4705 BAYBERRY ST. P.O. BOX 265 SCHOFIELD, WI 54476		PH. (715) 355-4000 FAX (715) 355-4994
BY: CCW	SCALE: 1/2X	DATE: 01-29-04	DESCR.: WACI BLIND IN FIXED WINDOW BLIND HUNG ON PANEL	DRAWING NO.: NA