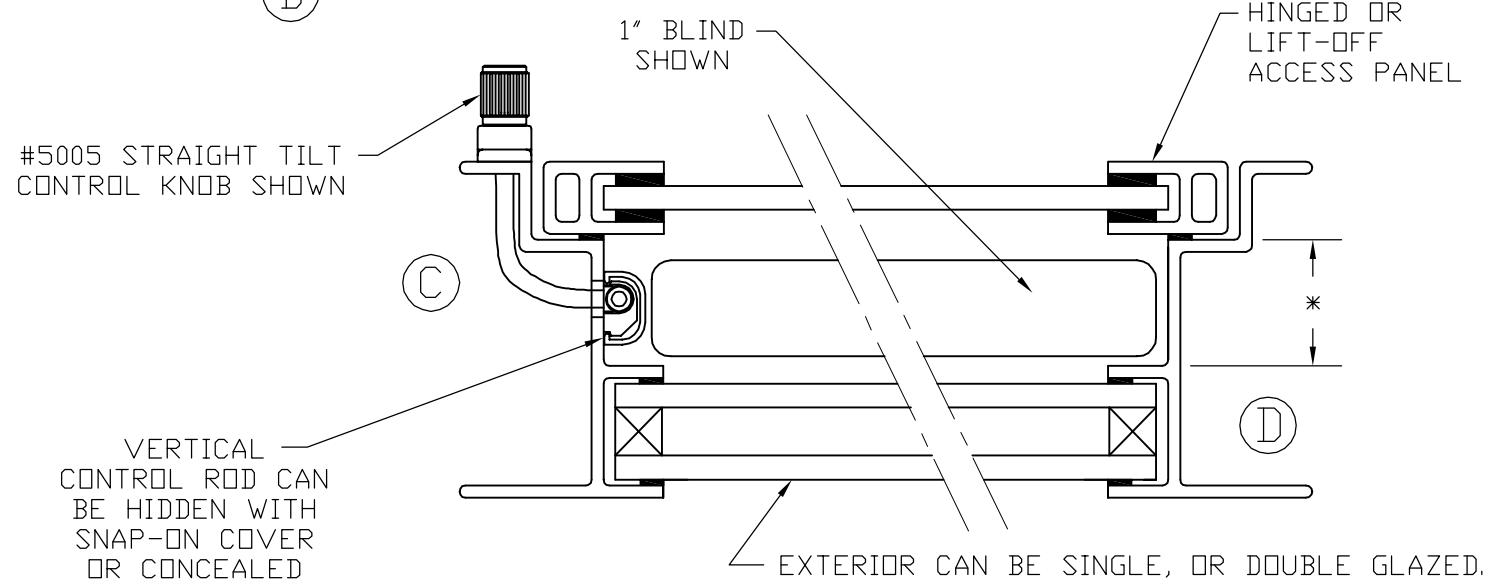
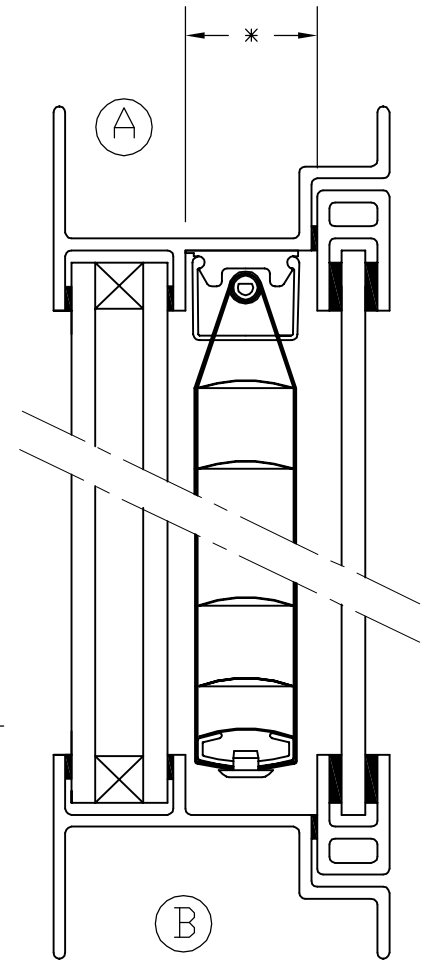


**W.A.C.I. BLIND IN FIXED WINDOW
-BLIND INSTALLED ON FRAME-**

GENERIC WINDOW DETAILS DESIGNED TO SHOW LOCATION OF
BLIND AND BLIND HARDWARE ITEMS ONLY. W.A.C.I. DOES
NOT RECOMMEND EXACT DUPLICATION OF THESE DETAILS.

MINIMUM SPACE REQUIREMENTS
 1" BLINDS = 1 1/4" MINIMUM SPACE*
 3/8" BLINDS = 3/4" MINIMUM SPACE*
 *ALLOW ADDITIONAL SPACE WHEN UTILIZING
 POLYMERIC GLAZING MATERIALS. CONSULT
 MANUFACTURER FOR RECOMMENDATIONS.

W.A.C.I. SUPPLIES BLINDS AND HARDWARE TO
OPERATE AND INSTALL THE BLINDS ONLY.
W.A.C.I. DOES NOT SUPPLY ANY GLASS OR
FRAMING MATERIALS.



VERTICAL CONTROL ROD CAN BE HIDDEN WITH SNAP-ON COVER OR CONCEALED UNDER GLAZING STOP.

EXTERIOR CAN BE SINGLE, OR DOUBLE GLAZED.

WINDOW ACCESSORY CO. INC.		4705 BAYBERRY ST. P.O. BOX 265 SCHOFIELD, WI 54476		PH. (715) 355-4000 FAX (715) 355-4994	
BY:	SCALE:	DATE:	DESCR.:	DRAWING NO.:	
CCW	1/2X	01-29-04	WACI BLIND IN FIXED WINDOW BLIND INSTALLED ON FRAME	NA	