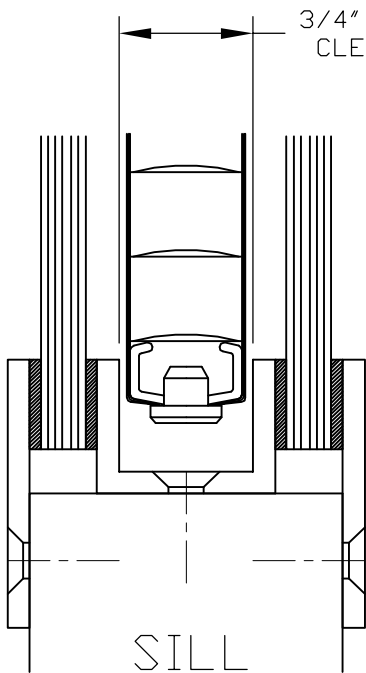
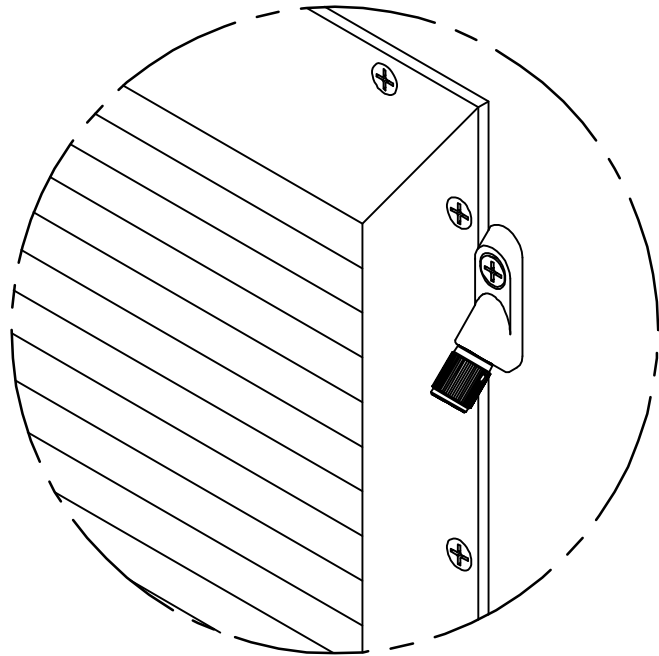
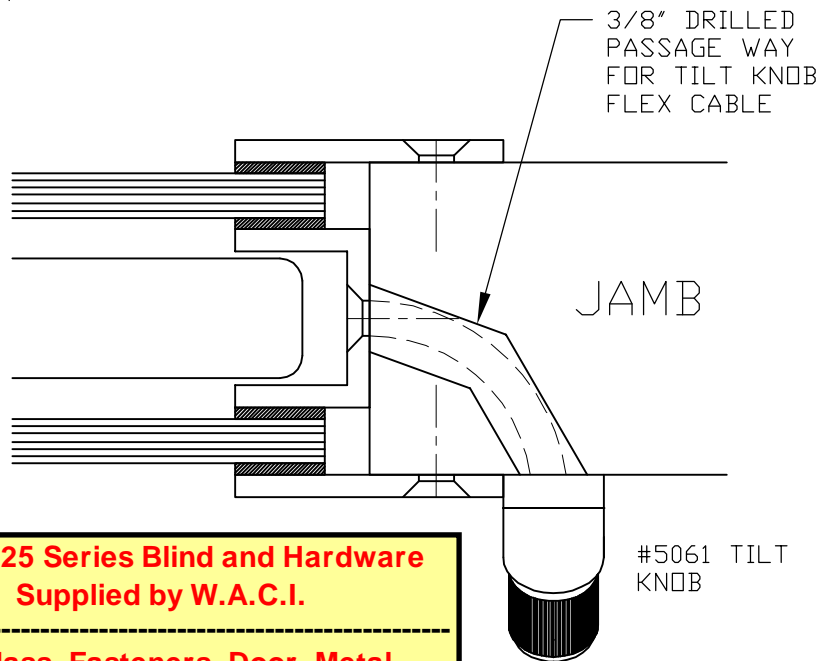


DETAIL OF ISOMETRIC VIEW
OF TILT KNOB INSTALLATION
SCALE = .5X



3/4" MINIMUM
CLEARANCE



**625 Series Blind and Hardware
Supplied by W.A.C.I.**

**Glass, Fasteners, Door, Metal
Framing, and all Glazing Materials
NOT by W.A.C.I.**

WINDOW ACCESSORY CO. INC.

4705 BAYBERRY ST.
P.O. BOX 265
SCHOFIELD, WI 54476

PH. (715) 355-4000
FAX (715) 355-4994

BY: CCW	SCALE: FULL	DATE: 09-12-03	DESCR: GENERIC DOOR INSTALLATION	PART #: NA	PAGE #: 8-6
------------	----------------	-------------------	-------------------------------------	---------------	----------------