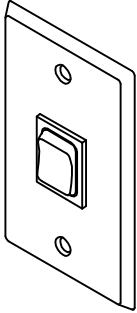
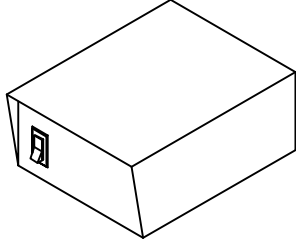
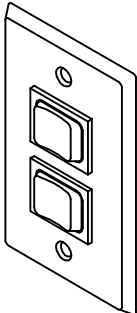
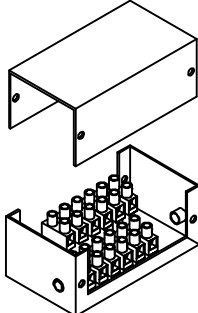
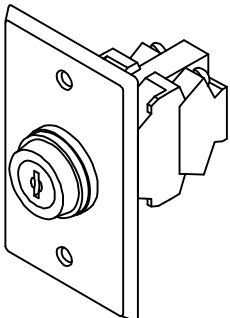
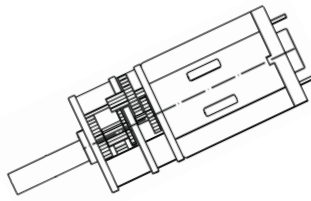
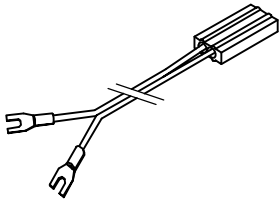
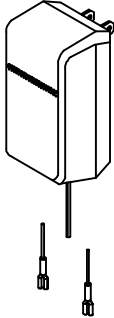
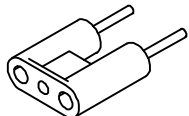


# MOTORIZED COMPONENT LISTING

P.O. Box 265  
4705 Bayberry St. Schofield, WI 54476-0265

Ph. (715) 355-4000 Fax (715) 355-4994  
E-mail: miket@windowaccess.com

 <p><b>5029 - STAINLESS STEEL RECEPTACLE COVER WITH SINGLE DPDT SWITCH FOR MOTORIZED BLINDS</b></p> <p>For a more detailed drawing see page 7-11</p>	 <p><b>7008 - 7 AMP 12 VOLT REGULATED POWER SUPPLY. 110 AC - 12 VDC</b></p> <p>For a more detailed drawing see page 7-9</p>
 <p><b>5030 - STAINLESS STEEL RECEPTACLE COVER W/ TWO DPDT SWITCHES FOR MOTORIZED BLINDS</b></p> <p>For a more detailed drawing see page 7-12</p>	 <p><b>7009 - JUNCTION BOX</b></p> <p>For a more detailed drawing see page 7-14</p>
 <p><b>5031 - KEY OPERATED SWITCH FOR MOTORIZED BLINDS</b></p> <p>For a more detailed drawing see page 7-13</p>	 <p><b>7041-M - ELECTRIC TILT MOTOR FOR MOTORIZED AND SMART BLINDS</b></p>
	 <p><b>7042 - WIRING HARNESS FOR MOTORIZED BLINDS (30' LONG)</b></p>
 <p><b>7007 - 1 AMP 12 VOLT POWER SUPPLY. 110 AC - 12 VDC</b></p> <p>For a more detailed drawing see page 7-8</p>	 <p><b>7045 - DUAL BANANA POWER CONNECTOR</b></p>

Note: Pictures are graphical representations only. Scale varies for each item.